

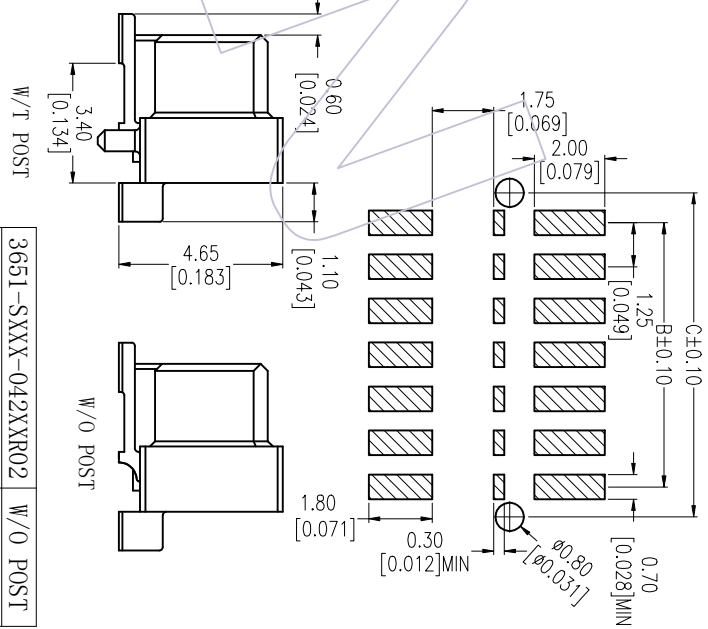
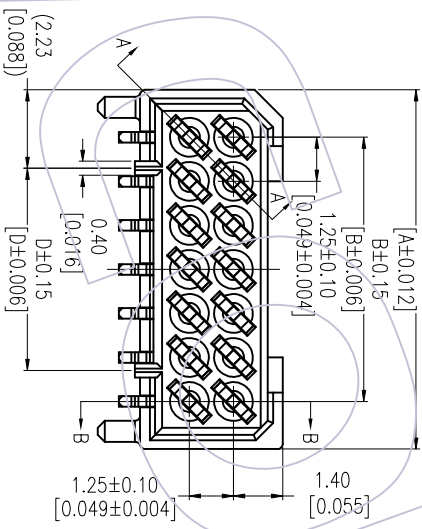
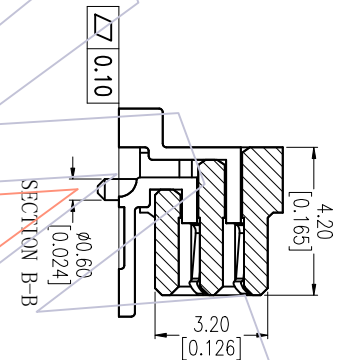
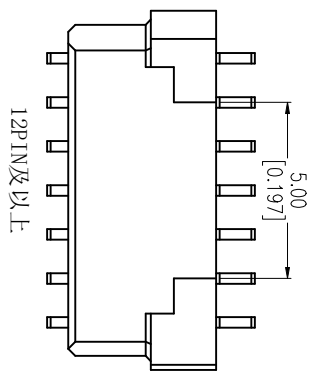
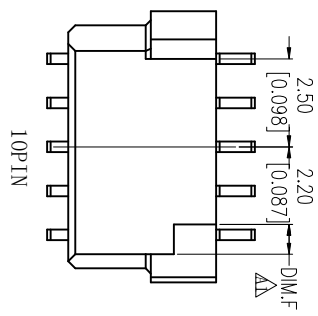
HSF

Recommended P.C.B Layout (Top Side)
(PCB BOARD TOLERANCE ±0.05)

NOTES:

Voltage Rating: 50V AC/DC
Current Rating: 0.5AMP
Contact Resistance: 20mΩ max
Withstand Voltage: 500V AC/Minute
Insulation Resistance: 500MΩ min
Operation Temperature: -40°C to +105°C

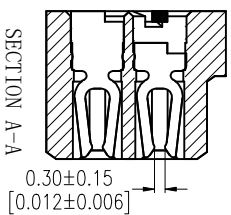
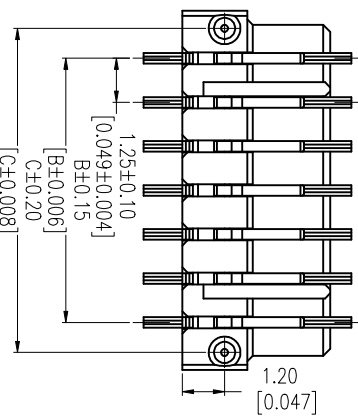
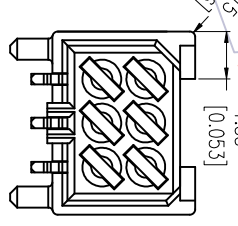
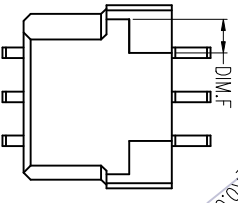
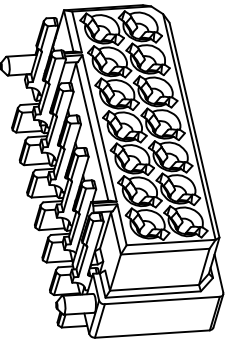
Contact Material: Phosphor Bronze
Contact Plating: Sn OR Au OVER Nickel
Insulator Material: PA9T+33%GF UL94V-0 BLACK



Ordering Information

3651-S XXXX-042 XX R0X

- No. of Pins: 006: 06 Pin, 010: 10 Pin, 012: 12 Pin, 014: 14 Pin, 016: 16 Pin, 018: 18 Pin, 020: 20 Pin, 022: 22 Pin, 024: 24 Pin
- Plating: GF=Gold Flash, G=Gold, G-1=15μrGold, G-5=50μrGold, SN=1μm
- Packing: R=TapexReel



W/T POST	3651-SXXX-042XXR01	3651-SXXX-042XXR02	W/O POST
4.00	11.99	15.45	13.75
3.50	10.74	14.20	12.50
3.00	9.49	12.95	11.25
2.50	8.24	11.70	10.00
2.00	6.99	10.45	8.75
1.50	5.74	9.20	7.50
1.00	4.49	7.95	6.25
0.85	3.24	6.70	5.00
0.95	0.74	4.20	2.50

DIM F	D	C	B	A	Pos.
4.00	11.99	15.45	13.75	16.45	24
3.50	10.74	14.20	12.50	15.20	22
3.00	9.49	12.95	11.25	13.95	20
2.50	8.24	11.70	10.00	12.70	18
2.00	6.99	10.45	8.75	11.45	16
1.50	5.74	9.20	7.50	10.20	14
1.00	4.49	7.95	6.25	8.95	12
0.85	3.24	6.70	5.00	7.70	10
0.95	0.74	4.20	2.50	5.20	6



Http: www.wcon.com

REV	DATE	MODIFICATION DESCRIPTION	CHANGE	OPERATION		DRAW	DATE	SCALE	FIT	PART NO.	TITLE:	WCON-Dongguan	WCON-Kunshan
				XX	±0.40								
A1	2017.12.19	Modify	---	XX	±0.25	Check	2017.12.19	A4	1/1	3651-SXXX-042SNR0X	1.25mm BTB FEMALE, 90° SMT TYPE	Tel: +86 769 85358920	Tel: +86 512 57468408
A0	2016.10.20	NEW	---	XXX	±0.15	APPROVE					Customer NO.	Fax: +86 769 85358915	Fax: +86 512 57468468
REV	DATE	MODIFICATION DESCRIPTION	CHANGE	Angle	± 3'							E-mail: sales@wcon.com	E-mail: sales@wcon.com