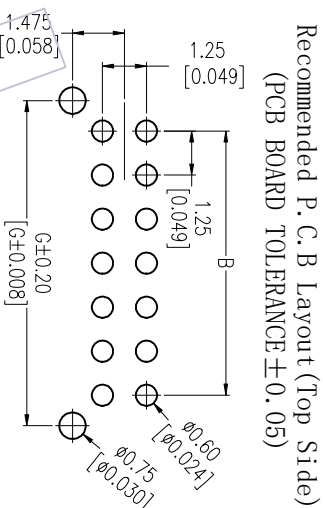
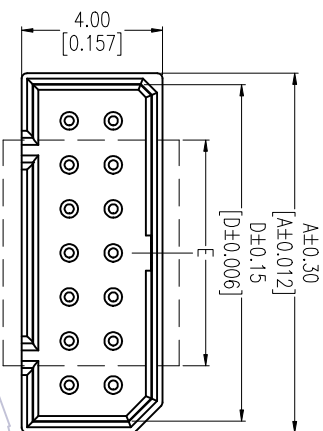
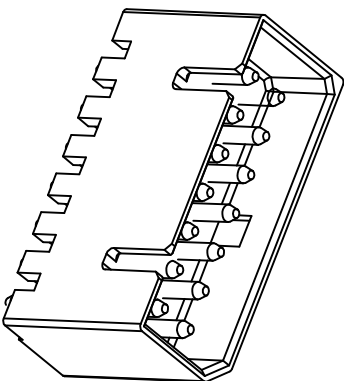


# HSF

**NOTES:**

Voltage Rating: 50V AC/DC  
 Current Rating: 0.5AMP  
 Contact Resistance: 20mΩ max  
 Withstand Voltage: 500V AC/Minute  
 Insulation Resistance: 500MΩ min  
 Operation Temperature: -40°C to +105°C

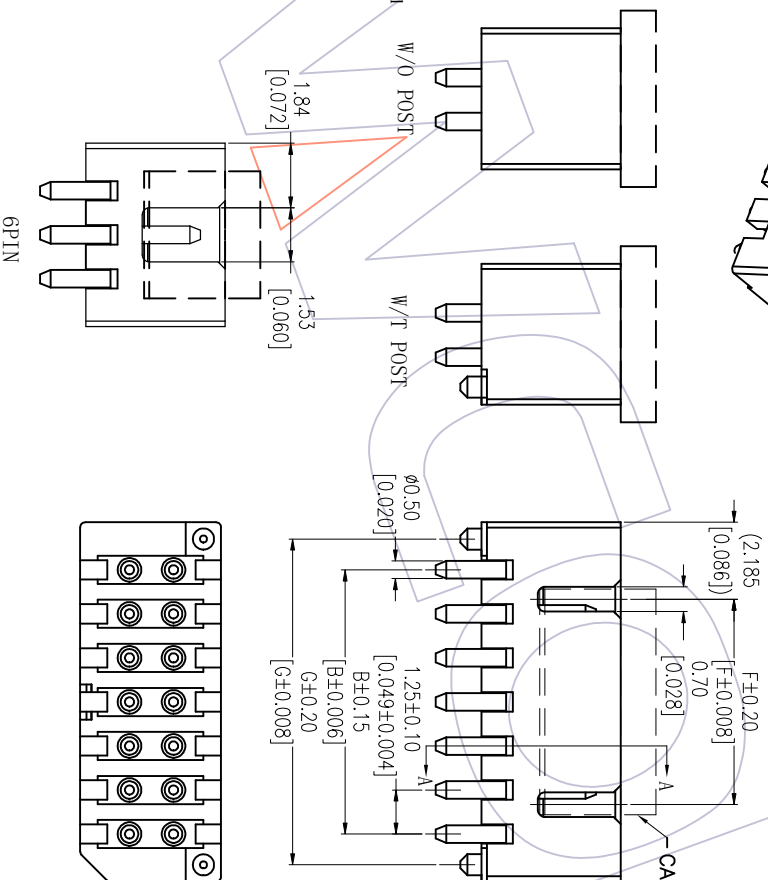
Contact Material: Brass  
 Contact Plating: Sn OR Au OVER Nickel  
 Insulator Material: PA9T+33%GF UL94V-0 BLACK



## Ordering Information

3651 - P XXX - XXX XX R0X

Notch Pins	Height of Housing	Plating	Packing
006: 06 Pin	039: 3.95	G0=Gold Flash	R=[Tape&Reel]
010: 10 Pin	054: 5.45	G3=10u"Gold	
012: 12 Pin	059: 5.95	G4=15u"Gold	
014: 14 Pin	093: 9.35	G5=30u"Gold	
016: 16 Pin		SM=Matle Trim	
018: 18 Pin			
020: 20 Pin			
022: 22 Pin			
024: 24 Pin			



Pos	Part No.	E
6-10PIN	CAP3651-G202	3.60
12-24PIN	CAP3651-G201	6.40

24	16.45	13.75	15.80	12.08	15.45
22	15.20	12.50	14.55	10.83	14.20
20	13.95	11.25	9.35	9.58	12.95
18	12.70	10.00	5.95	12.05	8.33
16	11.45	8.75	5.45	10.80	7.08
14	10.20	7.50	3.95	9.55	5.83
12	8.95	6.25		8.30	4.58
10	7.70	5.00		7.05	3.33
6	5.20	2.50		4.55	4.20

3651-PXXX-XXXXXR04	W/O POST
3651-PXXX-XXXXXR03	W/T POST

REV	DATE	MODIFICATION DESCRIPTION	CHANGE	OPERATION	DRAW	DATE	SCALE	FIT	PART NO.	TITLE:	WCON-Dongguan	WCON-Kunshan
A0	2016/10/25	NEW	---	X.X	Dwg/Min	2016.10.25	UNIT	mm	3651-PXXX-XXXXXR0X	1.25mm BTB MALE, 180° DIP TYPE	Tel: +86 769 85358920	Tel: +86 512 57468408
				X.XX	CHECK		SIZE	A4			Fax: +86 769 85358915	Fax: +86 512 57468468
				X.XXX	APPROVE		SHEET	1/1	Customer NO.		E-mail: sales@wcon.com	E-mail: sales@wcon.com
				Angle			PROJ.					
				± 3'								
				DIM								
				TOL								



Http: www.wcon.com